



# Interior Wall Panel Installation Guide

v20230801US



**NewTechWood**

# **CONTENTS**

<b>Important Note</b>	<b>3 - 4</b>
<b>Installation</b>	
<b>1. Preparation</b>	<b>5 - 6</b>
<b>2. Measure</b>	<b>6</b>
<b>3. Install the First course</b>	<b>7 - 9</b>
<b>4. Install the Second course</b>	<b>10 - 11</b>
<b>5. Install the Last Paneling</b>	<b>11 - 12</b>
<b>6. Paneling for the Adjacent Wall</b>	<b>12 - 14</b>
<b>7. Finish the Wall Mouldings and Outlets</b>	<b>15</b>

### IMPORTANT Note:

## Read All Sections Before You Start

For the most up to date information, please visit our website @ [www.newtechwood.com](http://www.newtechwood.com)

Before installing the Interior Wall Panels, it is recommended that you check with local building codes for any special requirements or restrictions. The diagrams and instructions outlined in this guide are for illustration purposes only and are not meant or implied to replace a licensed professional. Any construction or use of NewtechWood must be under all local zoning and/or building codes. The consumer assumes all risks and liability associated with the construction and use of this product.

### Safety

It is recommended to wear appropriate safety equipment to avoid any risk of injuries. Still, it is not limited to the following safety equipment when installing the Interior Wall Panels: gloves, safety goggles, long sleeves, and pants.

#### **Please Note:**

**DO NOT** attempt installation by one person. It is must to carry the installation with help.

### Acclimation

- Acclimating at least 24 hours prior to installation is recommended.
- Acclimating the Interior Wall Panels at the job site
- Acclimating the Interior Wall Panels will eliminate any unwanted shrinkage issues seen during and after installation.

#### **Please Note:**

Always remember when allowing the Interior Wall panels to acclimate at the job site, it is essential to put them on a flat and even surface. If placed on an uneven surface, the Interior Wall Panels could warp to the shape of the terrain.

### Storage

- Interior Wall Panels should be stored and transported horizontally
- Interior Wall Panels should always need to be stored on flat solid surfaces.

### The Best surfaces for Interior Wall Panels

- Drywall
- Plywood
- Lath and Plaster
- Brick
- Concrete

#### **Please Note:**

The surfaces should be flat, straightness, and dry. It should not have any loose or damaged plaster, dust and debris.

## Where can the Interior Wall Panels be installed?

-Interior Wall Panels can be installed over most rooms in the house. such as bedroom, living room, bathroom.

### **Please Note:**

1. Don't install over soft surfaces.
2. Don't install outdoors.

## Tools

Always use the proper tools for installation, such as woodworking tools:

- Tape Measure
- Box-Beam Level
- Carpenter's Pencil
- Power Circular Saw
- Fine Tooth Circular Saw Blades (12-16 TPI)
- Power jigsaw
- Fine Tooth Jigsaw Blade 10 TPI
- Rubber mallet (To tap the next Interior Wall Panel to connect with the prior Interior Wall Panels in place)
- Pneumatic Nail Gun
- Straight Finishing Nails
- Caulk Gun
- Construction Adhesive
- Silicon Sealant (It is mandatory for the installation in wet environment, such as bathroom)
- Rubber Putty Knife (To scrape off the excess and to smooth the Silicon Sealant)

## Planning

Plan a layout for your wall paneling before starting it to ensure the best possible-looking decorative wall for your project. Building codes and zoning ordinances generally apply to permanent structures, meaning anything anchored to the wall or attached to the house. We recommend drawing out a site plan of your proposed project that you intend to do to minimize errors and build your perfect wall paneling.

# Interior Wall Panel Installation

## Installation Procedure

Step 1: Preparation

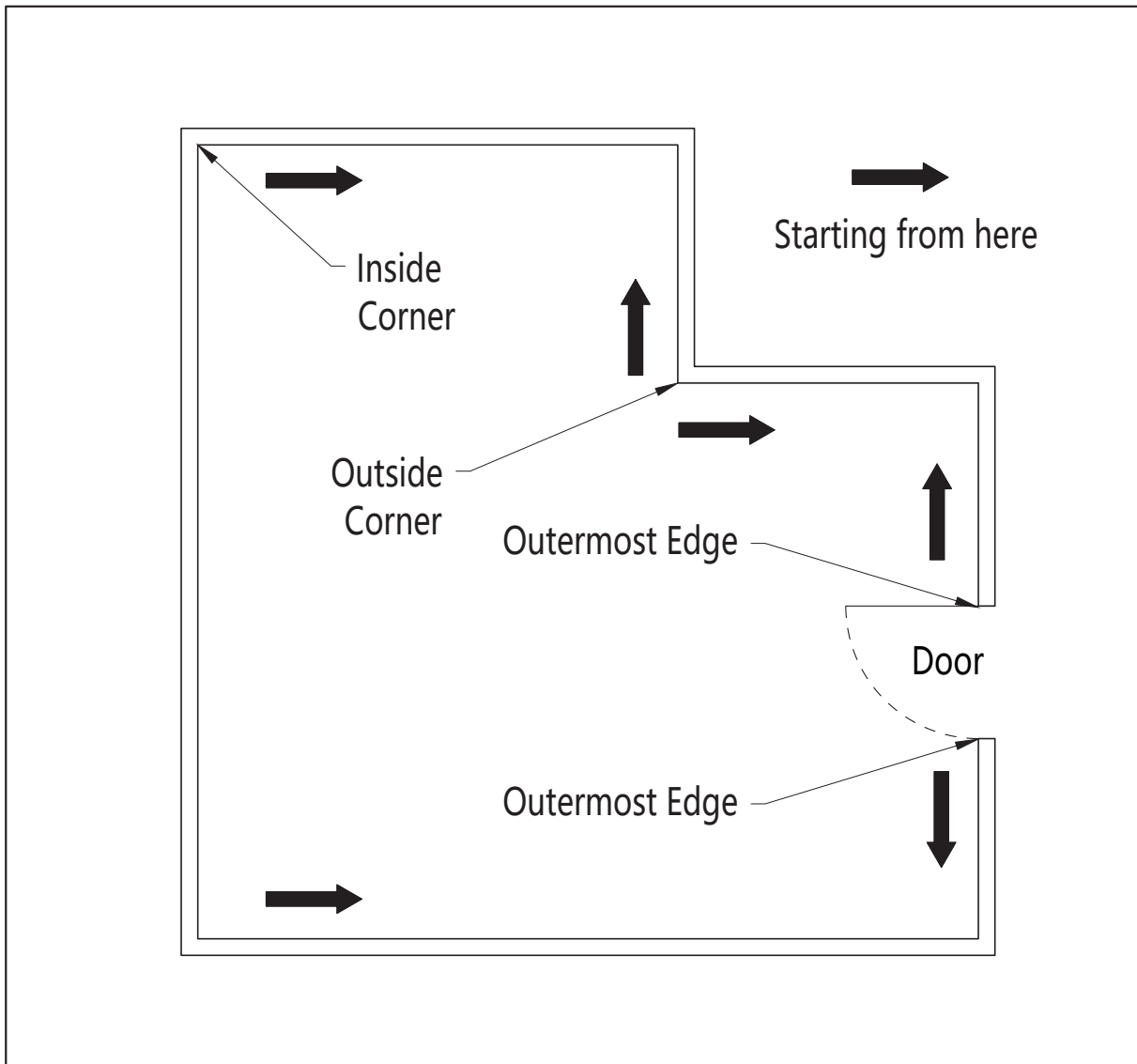
Step 2: Measure

Step 3: Wall Paneling

Step 4: Finish the Mouldings and Outlets

### Please Note:

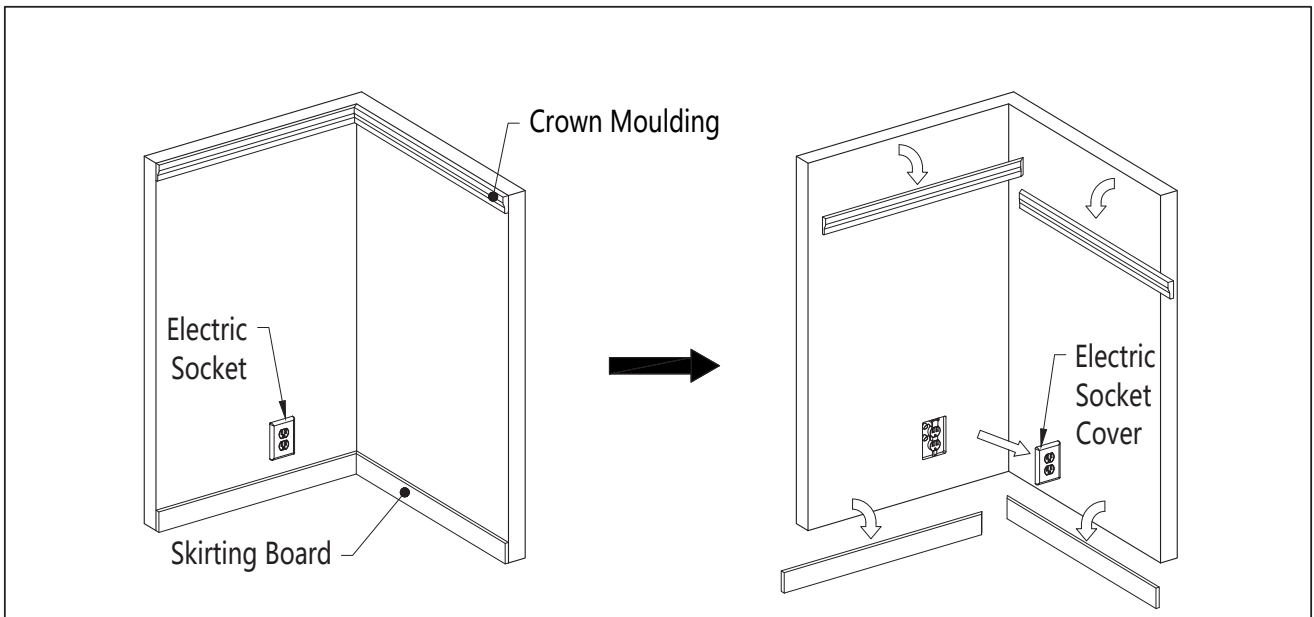
The walls need to be straightness and as smooth as possible before installation. It is recommended to start the paneling from the Outside Corner and the Outermost Edge, as shown in the **Diagram A**. You can carry the installation to either if the wall is between two Inside Corners.



**Diagram A**

## 1 Preparation

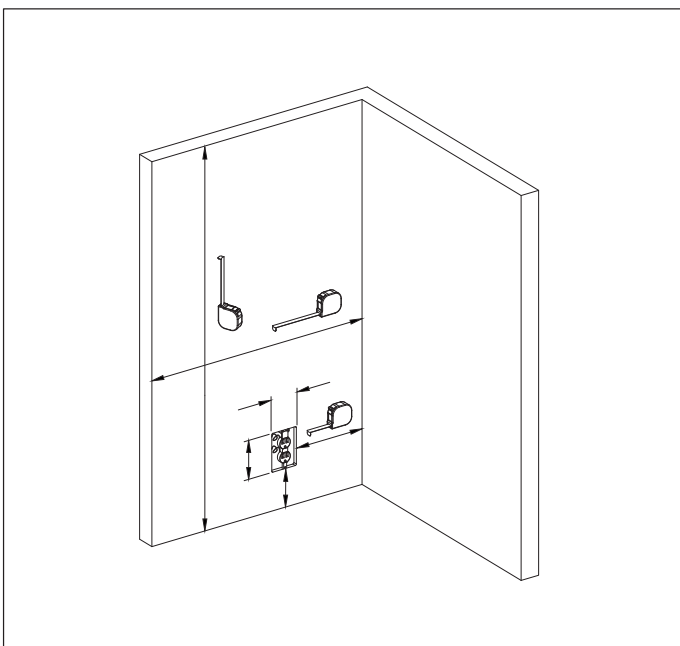
**1.1** Remove all the wall mouldings, skirting boards and electric socket covers, etc., and swipe all dust and debris away on the wall surface, as shown in **Diagram 1**.



**Diagram 1**

## 2 Measure

**2.1** Measure the height and width of each wall to determine the size of the wall panel and how many sheets of wall panels you will need. Measure the electric socket's distance from the floor and adjacent wall to determine the installed cutout placement in the interior wall panel, as shown in **Diagram 2**.



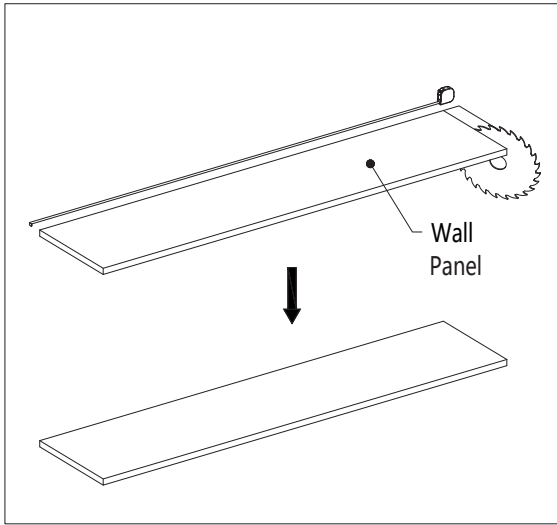
**Diagram 2**

### **Please Note:**

1. Add 10% to your total measurement to account for waste and fitting.
2. Make a cardboard template of any openings to speed up the opening cutting process.

### 3 Install the First Course

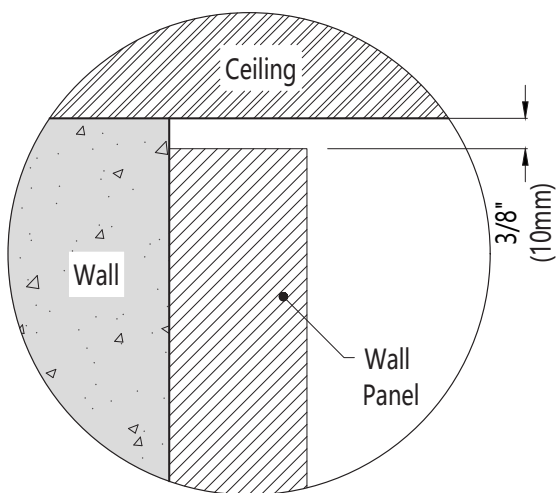
**3.1** Rip the wall panels to the required height, as shown in **Diagram 3-1**.



**Diagram 3-1**

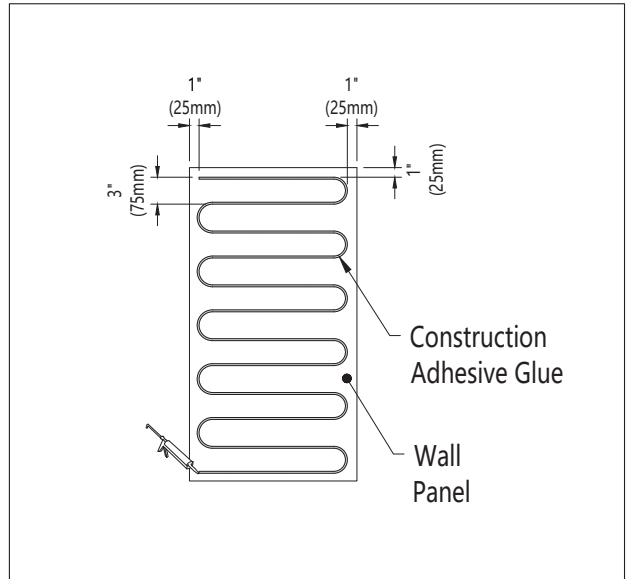
**Please Note:**

1. A minimum of 3/8" (10mm) clearance must be left at the top of the wall panel, as shown in the **Detail 3-1**.
2. Use a fine tooth saw blade (12-16 TPI) to rip the wall panels.



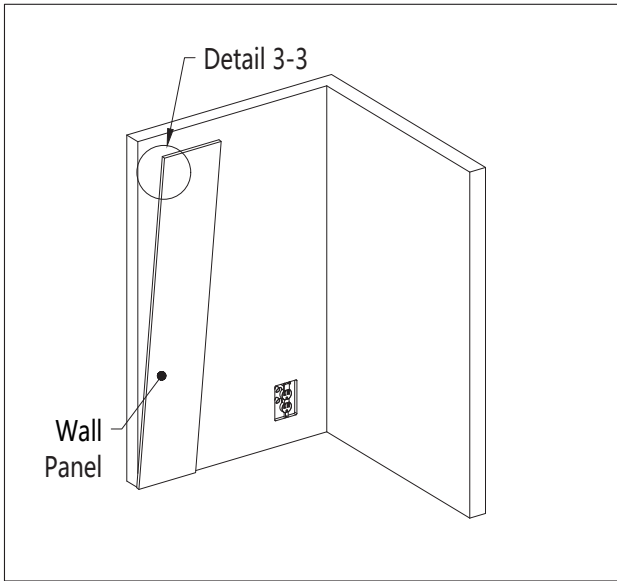
**Detail 3-1**

**3.2** Apply the construction adhesive with a caulk gun in a wave pattern to the rear of the wall panels, as shown in **Diagram 3-2**.



**Diagram 3-2**

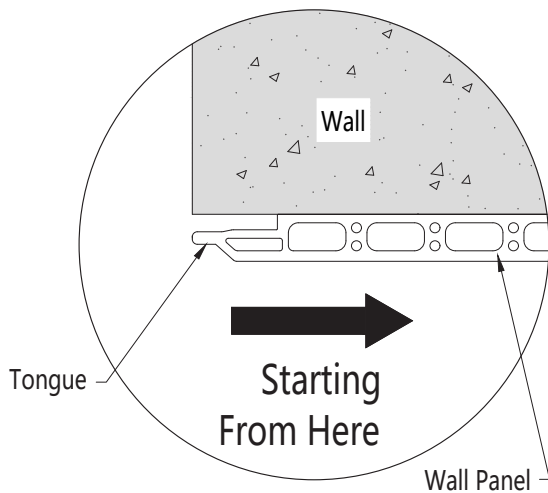
**3.3** Put and position the first wall panel in place, as shown in **Diagram 3-3**.



**Diagram 3-3**

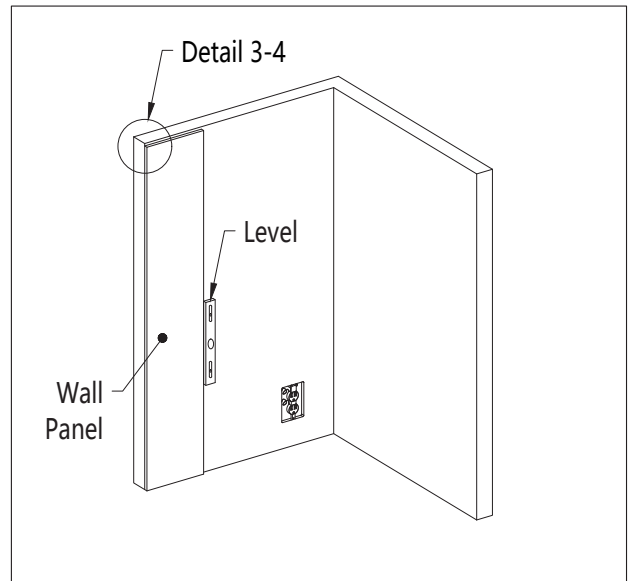
**Please Note:**

1. Place the panel with the tongue side in the Outside Corner or the Outer Most Edge, as shown in **Detail 3-3**.



**Detail 3-3**

**3.4** Press the wall panel firmly against the wall, and ensure it is plumb with a box-beam level, as shown in **Diagram 3-4**.

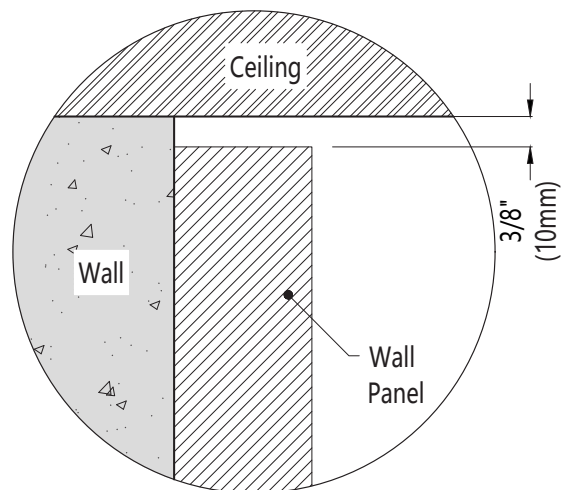


**Diagram 3-4**

**Please Note:**

1. It is essential to ensure the first wall panel is plumb so that the remaining wall panels can align correctly.

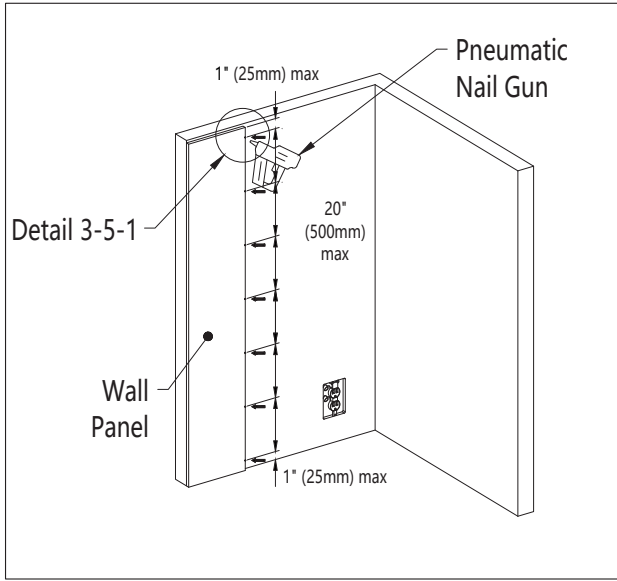
2. A minimum of 3/8" (10mm) clearance must be left at the top of the wall panel, as shown in **Detail 3-4**.



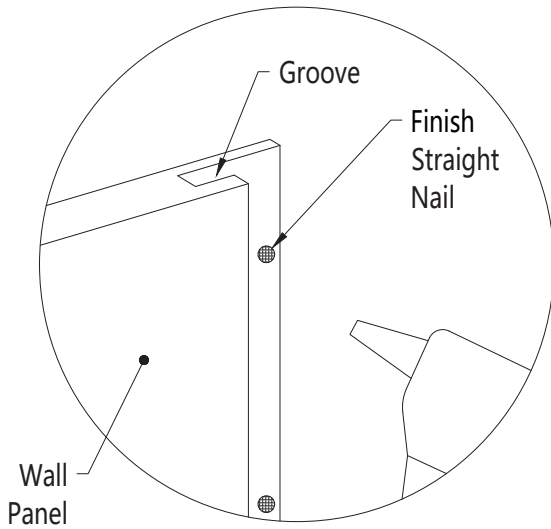
**Detail 3-4**



**3.5** Then use the finishing straight nail to secure the panel to the wall, as shown in **Diagram 3-5** and **Detail 3-5**.



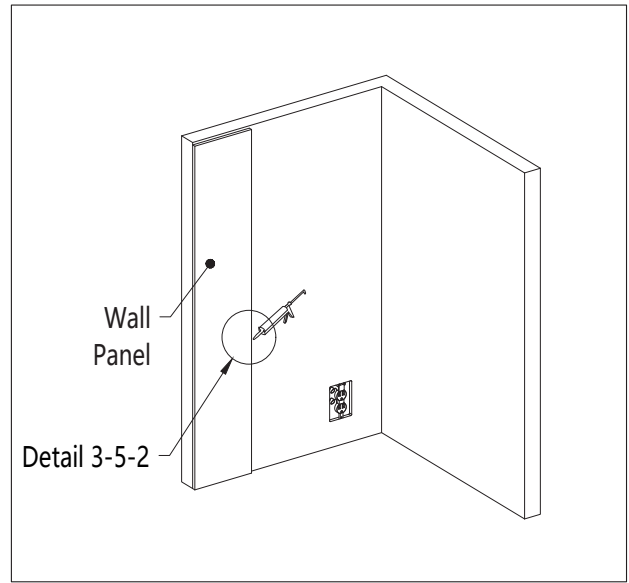
**Diagram 3-5-1**



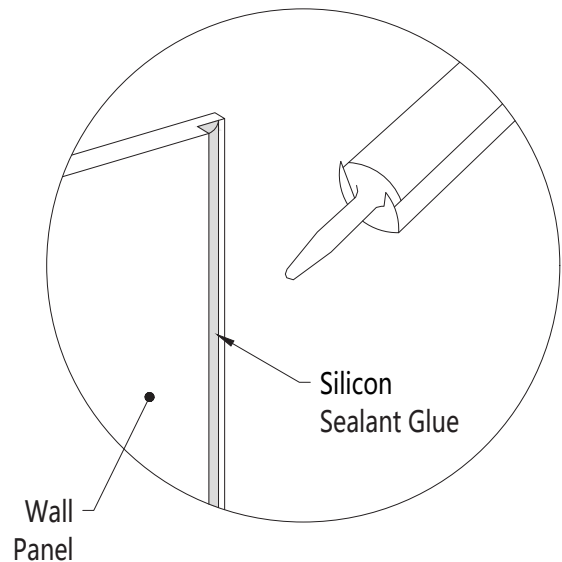
**Detail 3-5-1**

**Please Note:**

When installing the wall panel in the bathroom, apply a bead of silicon sealant along the groove side, to ensure the water-tightness of all joints. It is helpful to prevent water or moisture vapor from entering underneath the wall panels, as shown in **Diagram 3-5-2** and **Detail 3-5-2**.



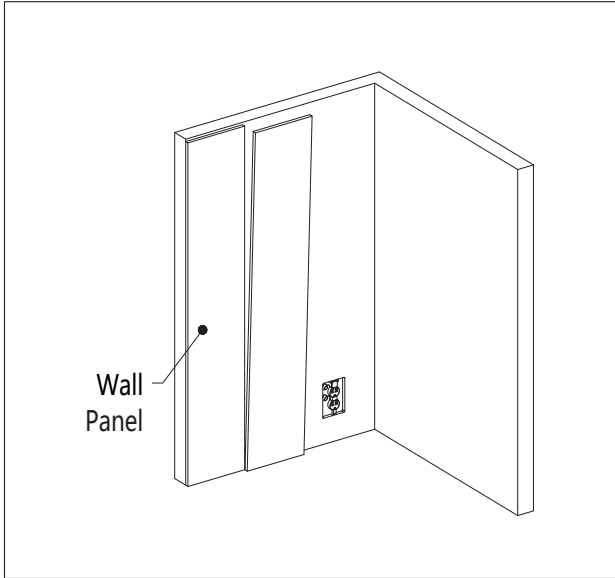
**Diagram 3-5-2**



**Detail 3-5-2**

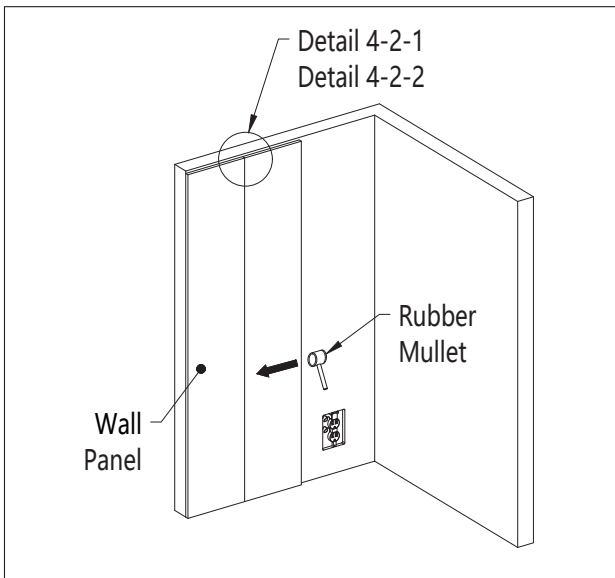
## 4 Install the Second Course

**4.1** Repeat the process with the next wall panel and put it in place, as shown in **Diagram 4-1**.

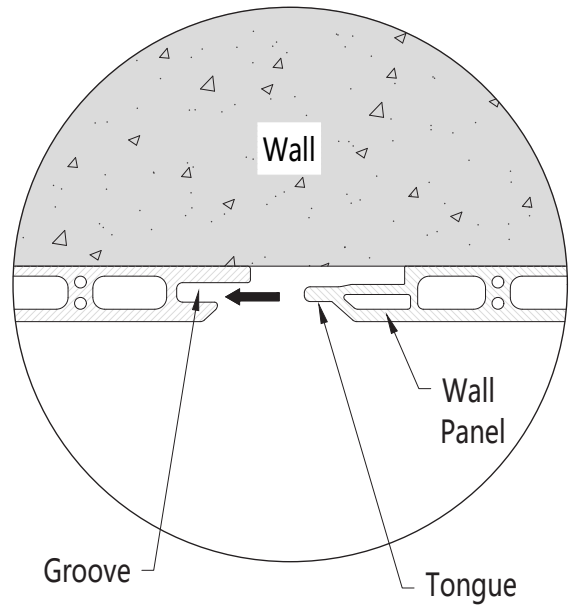


**Diagram 4-1**

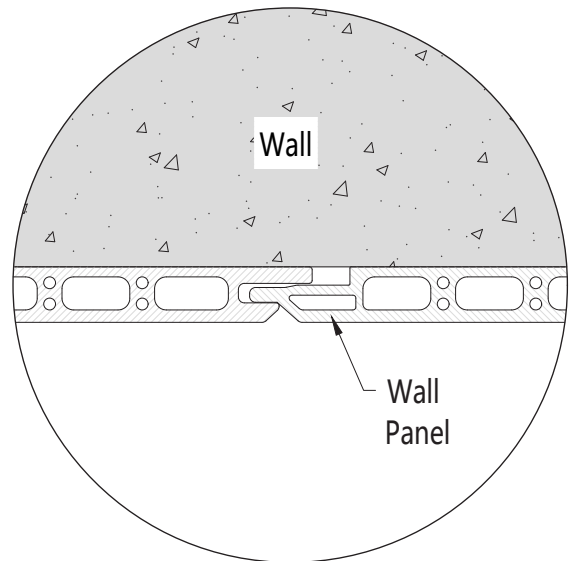
**4.2** Use the rubber mallet to tap the next panel to ensure the tongue slots into the groove of the former wall panel, as shown in **Diagram 4-2**, **Detail 4-2-1**, and **Detail 4-2-2**.



**Diagram 4-2**

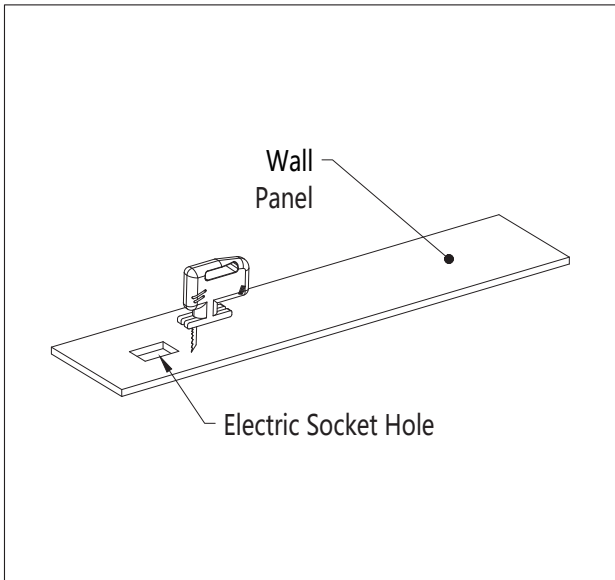


**Detail 4-2-1**



**Detail 4-2-2**

**4.3** If an electric socket is on the wall, cut the hole on the panel in the required dimension, as shown in **Diagram 4-3**.



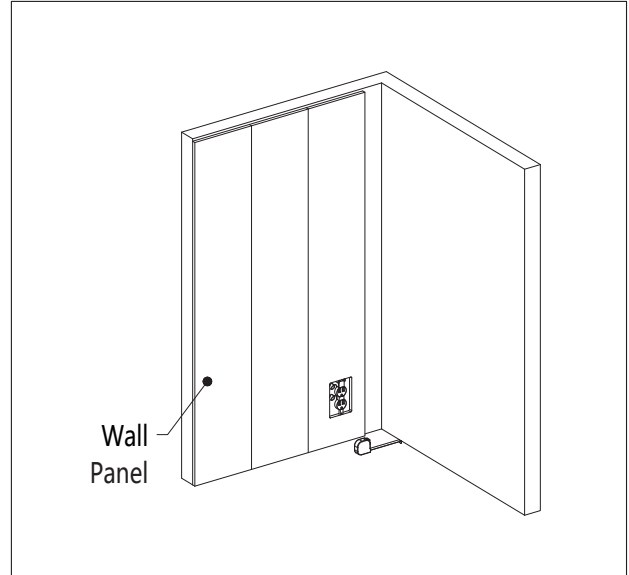
**Diagram 4-3**

**Please Note:**

1. Use a fine jig saw (10 TPI) to make the electric socket cutouts in the panels as needed.

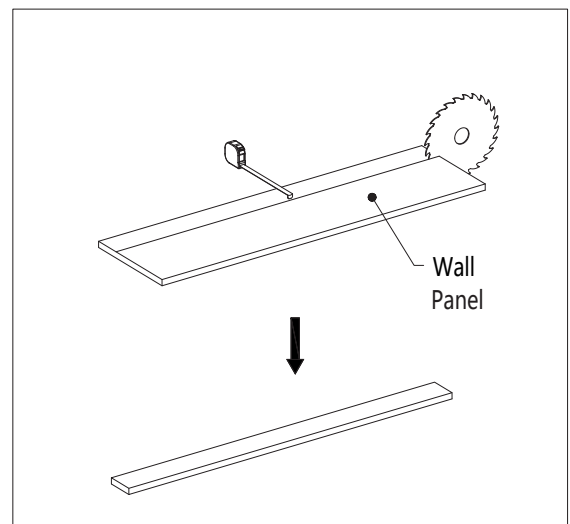
## 5 Install the Last Panel

**5.1** When you reach the last wall panel, measure the width between the adjacent and wall panels, as shown in **Diagram 5-1**.



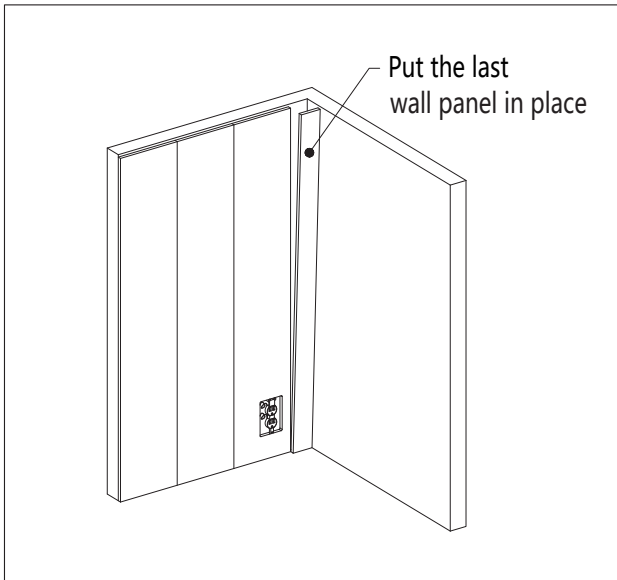
**Diagram 5-1**

**5.2** Rip the wall panel according to the measurement, as shown in **Diagram 5-2**.

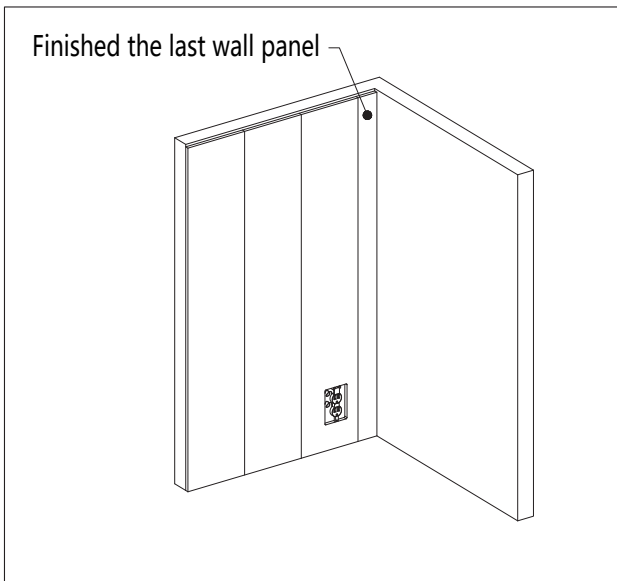


**Diagram 5-2**

**5.3** Put the ripped wall panel into place and press to secure it on the wall, as shown in **Diagram 5-3-1** and **Diagram 5-3-2**.



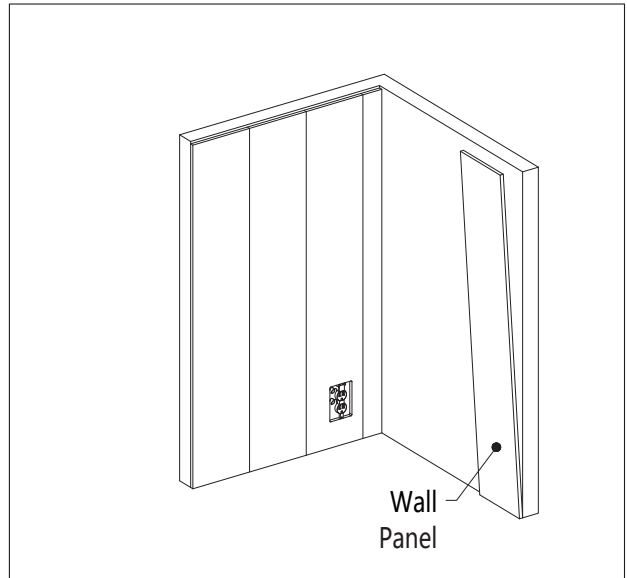
**Diagram 5-3-1**



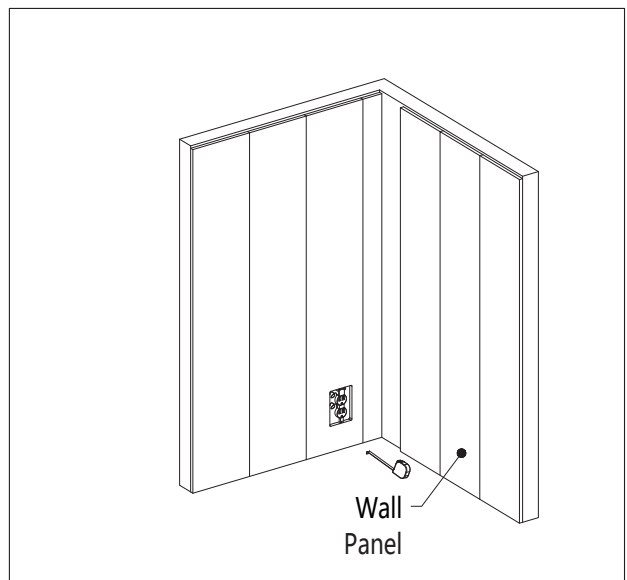
**Diagram 5-3-2**

## **6** Paneling from the Adjacent Wall

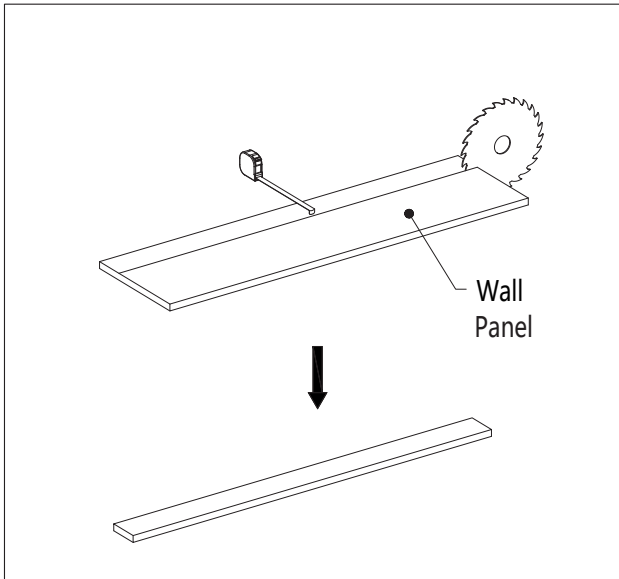
**6.1** Repeat the installation per the procedure 3, 3 and 5, as shown in **Diagram 6-1-1**, **6-1-2**, **6-1-3**, **6-1-4** and **6-1-5**.



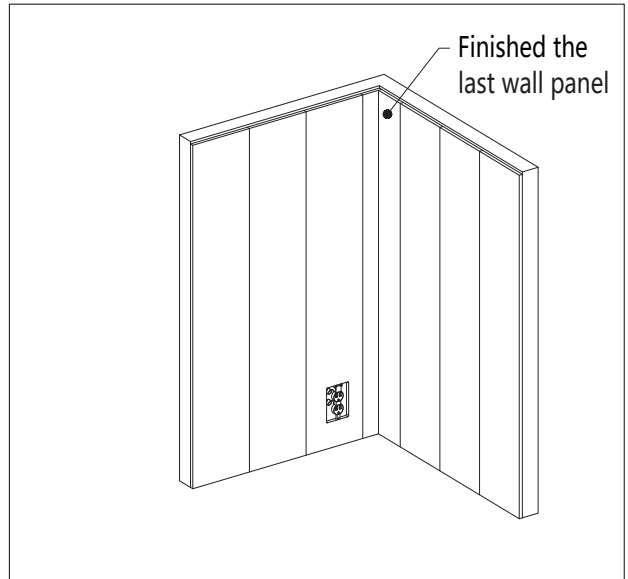
**Diagram 6-1-1**



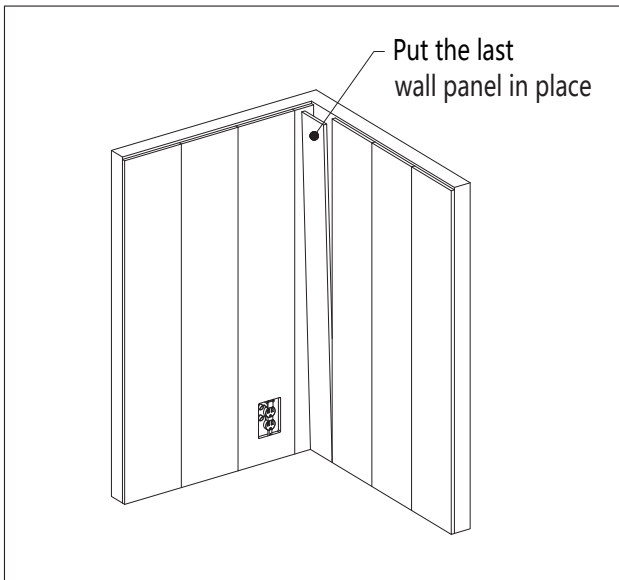
**Diagram 6-1-2**



**Diagram 6-1-3**



**Diagram 6-1-5**

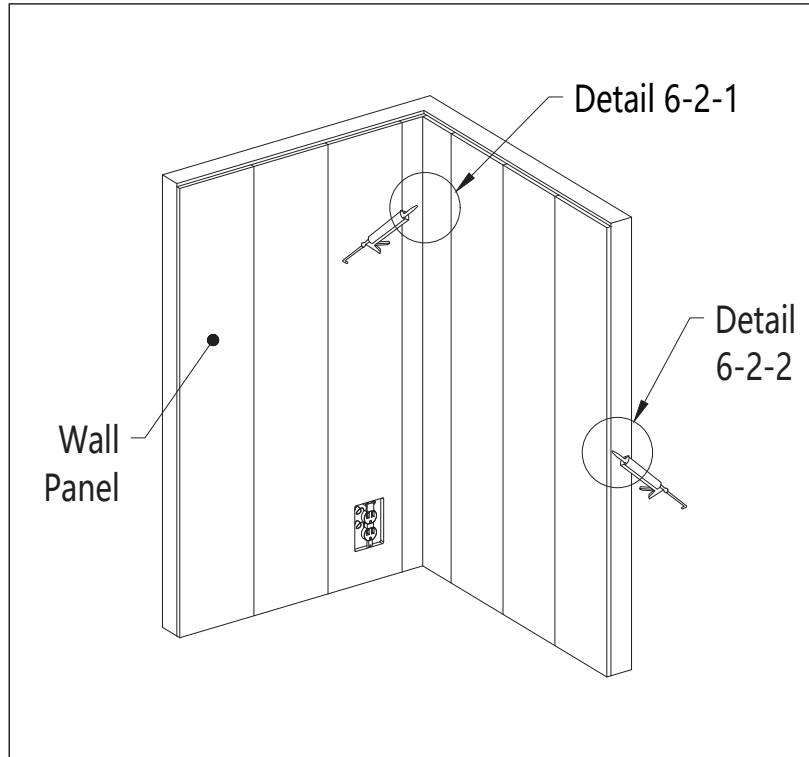


**Diagram 6-1-4**

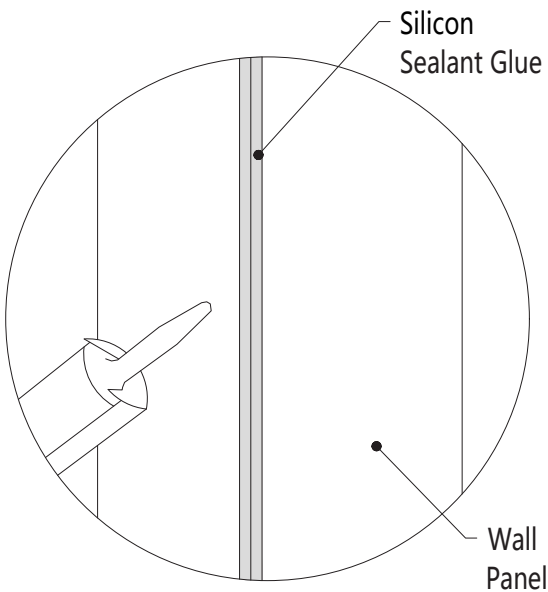
**6.2** Apply a bead of Silicon Sealant Glue along the joint of the paneling in the Inside Corner and the exposed tongue edge in the Outermost Edge, as show in **Diagram 6-2**,

Inside Corner: **Detail 6-2-1**

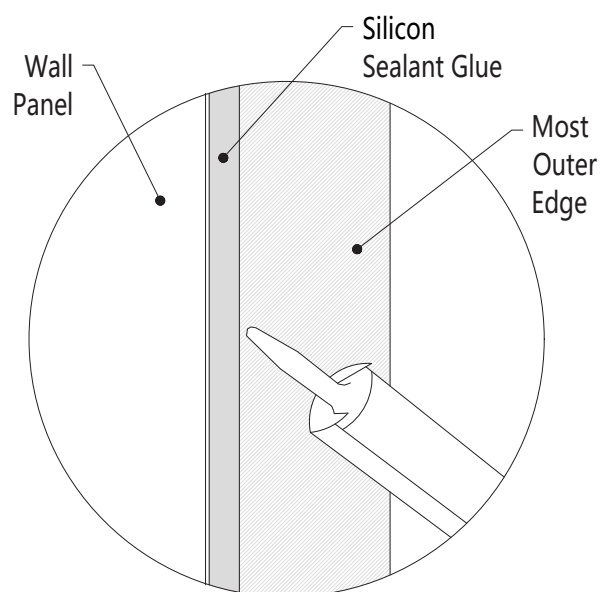
Outermost Edge: **Detail 6-2-2**



**Diagram 6-2**



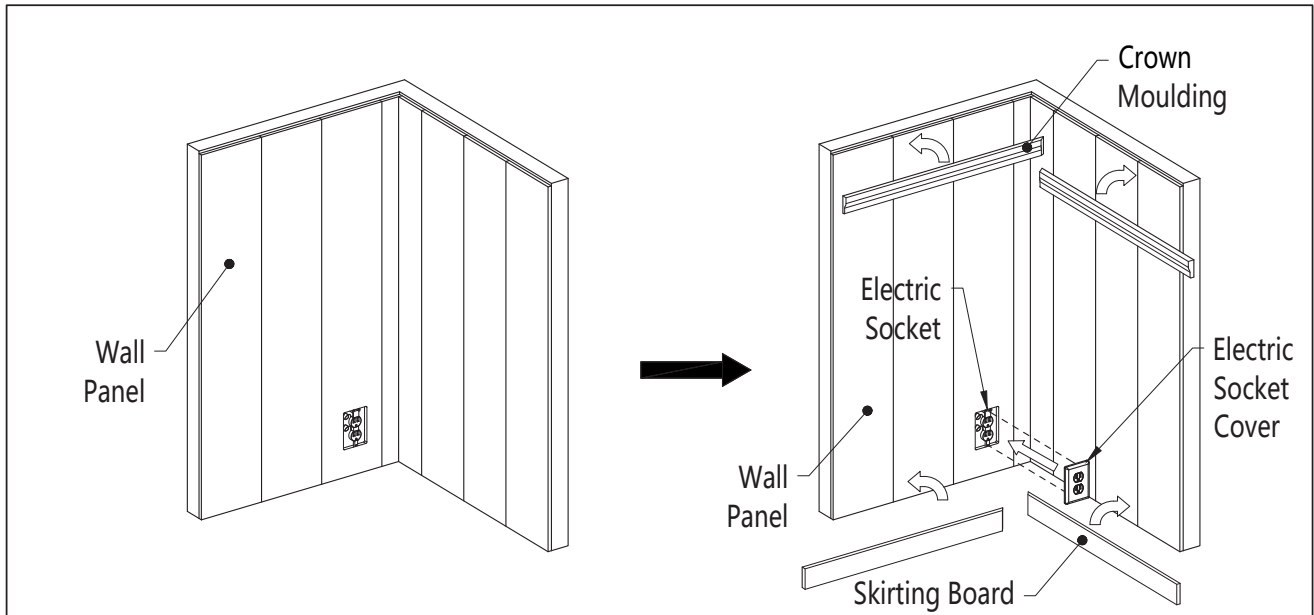
**Detail 6-2-1**



**Detail 6-2-2**

## 7 Finish the Wall Mouldings and Electric Socket Covers

8.1 Install the mouldings and put the socket covers into place after the wall panel installation, as shown in **Diagram 7-1-1** and **Diagram 7-1-2**.



**Diagram 7-1-1**



**Diagram 7-1-2**



# Interior Wall Panel Installation Guide

v20230801US

©2023 Newtechwood Corporation.

NewTechWood® is a registered trademark of Newtechwood Corporation.

To obtain a copy of the most current version of this installation guide,

visit us online at [www.newtechwood.com](http://www.newtechwood.com).



**NewTechWood**