



# EverLux XXL SPC Indoor Flooring Installation Guide

v20220126US



**NewTechWood**

# **CONTENTS**

<b>Important Note</b>	<b>3 - 4</b>
<b>SPC Indoor Flooring Accessories</b>	<b>5</b>
<b>SPC Indoor Flooring Installation</b>	<b>6 - 9</b>
<b>Installation of the Base Molding, BM70 &amp; ET01</b>	<b>10</b>
<b>Installation of the T Molding TM01</b>	<b>11</b>
<b>Installation of the End Molding EM01</b>	<b>12</b>

### IMPORTANT Note:

## Read All Sections Before You Start

For the most up to date information, please visit our website @ [www.newtechwood.com](http://www.newtechwood.com)

Before installing the SPC indoor flooring, it is recommended that you check with local building codes for any special requirements or restrictions. The diagrams and instructions outlined in this guide are for illustration purposes only and are not meant or implied to replace a licensed professional. Any construction or use of NewtechWood must be under all local zoning and/or building codes. The consumer assumes all risks and liability associated with the construction and use of this product.

### Safety

It is recommended to wear appropriate safety equipment to avoid any risk of injuries. Still, it is not limited to the following safety equipment when installing the floor: gloves, safety glasses, long sleeves, and pants.

### Tools

Always use the proper tools for installation, such as woodworking tools:

- Hand saw or electric saw
- Metal or carbide tip saw blades
- Carpenter's pencil
- Tape measure
- Set square 45° and right angle
- Rubber mallet (To ensure the locking of the two connected planks in place)
- Flat wood-block (Use with the rubber mallet to ensure the long side tongue to be inserted inside the groove is in place)
- Pull bar (Use to pull the whole connected planks row in position from the end of the short side)

### Acclimation

- Acclimating at least 24 hours prior to installation is recommended.
- Acclimating the planks will eliminate any unwanted shrinkage issues seen during and after installation.

### Please Note:

Always remember when allowing the planks to acclimate at the job site, it is essential to put them on a flat and even surface. If placed on an uneven surface, the planks could warp to the shape of the terrain.

### Storage

- Planks should be stored and transported horizontally
- Planks should always need to be stored on flat solid surfaces.

### Planning

Plan a layout for your flooring before starting it to ensure the best possible-looking flooring for your project. Building codes and zoning ordinances generally apply to permanent structures, meaning anything that is anchored to the ground or attached to the house. So nearly every kind of flooring requires permits and inspections from a local building department. We recommend drawing out a site plan of your proposed project that you intend to do to minimize errors and build your perfect flooring.

### Where can the SPC indoor flooring be installed?

- NewTechWood's SPC indoor flooring can be installed over most hard solid surfaces.

#### **Please Note:**

1. Don't install in humid or continual wet areas.
2. Don't install over soft surfaces.
3. Don't install outdoors.

#### **Sub-floor**

- The sub-floor should be level, solid, flat, dry, and clean  
- Any unevenness in the sub-floor should be under to a max of 1/16" (1mm) over a length of 6' (1.8m).

#### **Underlayment**

The NewtechWood SPC indoor flooring has an underlayment attached to the plank bottom to provide sound lessening and cushioning benefits.

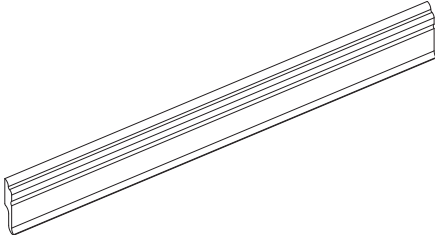
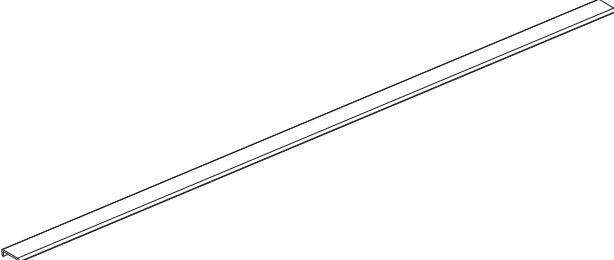
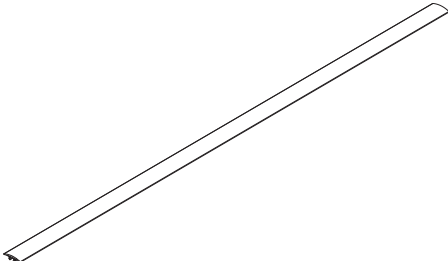
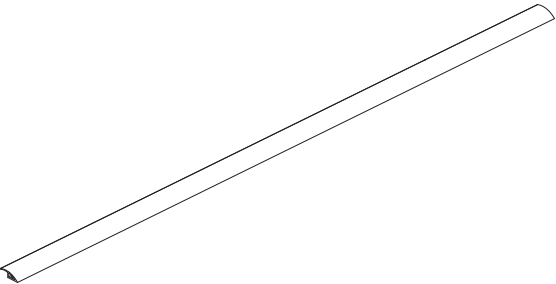
#### **Underfloor heating**

It is essential to care while using underfloor heating. Install a room temperature sensor and a floor temperature sensor to control the floor surface temperature not exceeding 80°F(26°C). You should halt using the underfloor heating when the temperature sensors work improperly.

#### **Taking care of the flooring**

- Regularly clean the floor to remove the dust or grit use of sweeper, vacuum cleaner, microfiber mop, etc.
- Avoid using regular household cleaners and bleach-based detergents to clean the floor.
- Dry the floor as soon as possible if the floor is wet to prevent the risk of slipping.
- Attach the protective floor pads on the base of the furniture legs to prevent scratching.

## SPC Indoor Flooring Accessories

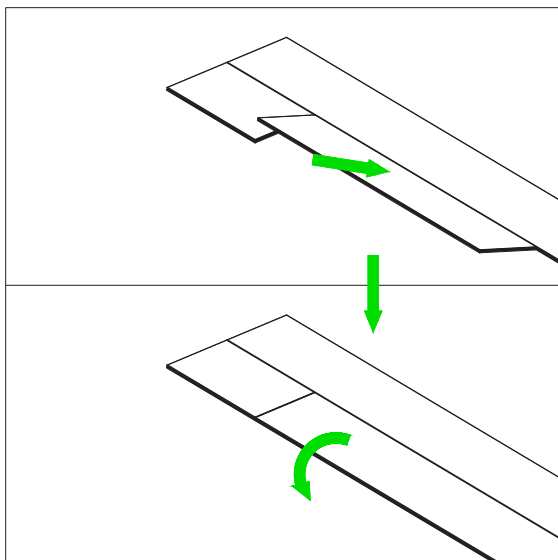
Product	Purpose	Figure
<b>Base Molding (BM70)</b>	Used for the installation of the skirt between the wall and the planks.	
<b>End Trim (ET01)</b>	Used for the installation of the skirt between the wall and the planks.	
<b>T Molding (TM01)</b>	Used for the butt joining of two separated floor panels.	
<b>End Molding (EM01)</b>	Used for the installation to cover the edge of the floor panels.	

# SPC Indoor Flooring Installation

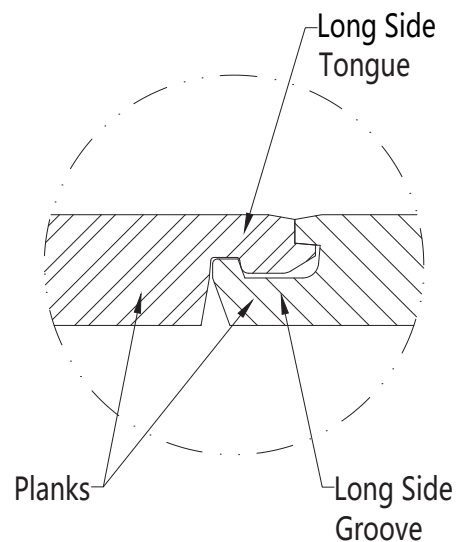
## 1 How to fix the planks

### 1.1 Long Side

The long side of the planks are connected by inserting the tongue into the groove then folding down to fix the planks, as shown in **Diagram 1-1** and **Detail 1-1**.



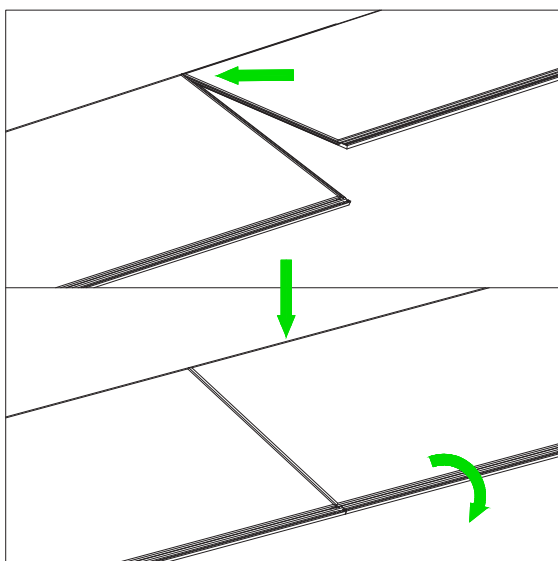
**Diagram 1-1**



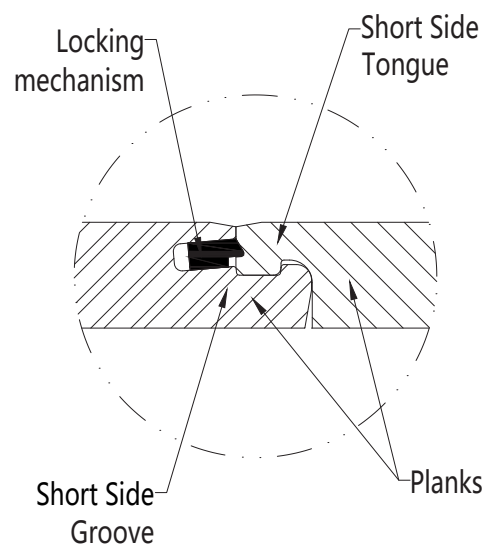
**Detail 1-1**

### 1.2 Short Side

The short side of the planks are connected by inserting the tongue into the groove then folding down to lock the planks by the locking mechanism, as shown in **Diagram 1-2** and **Detail 1-2**.



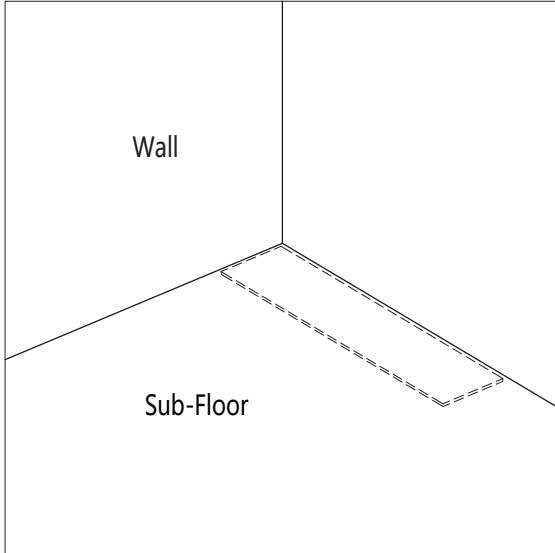
**Diagram 1-2**



**Detail 1-1**

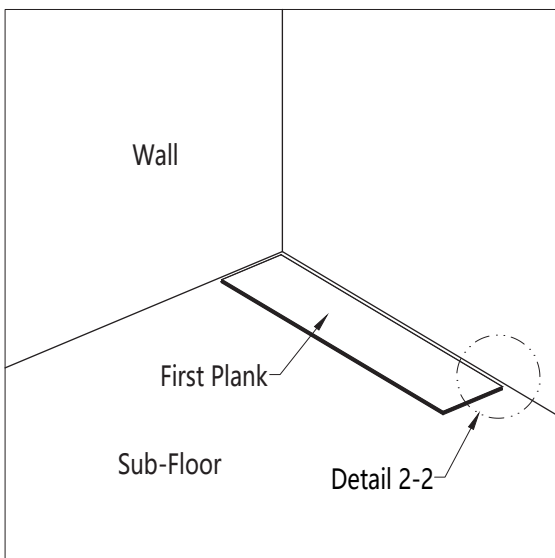
## 2 Installation Procedure-Planks

**2.1** It is recommended to start the installation from the wall left corner, as shown in **Diagram 2-1**.

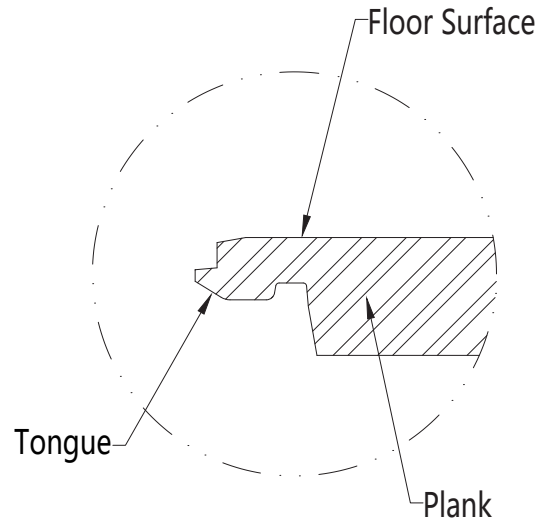


**Diagram 2-1**

**2.2** Lay the first plank in the first row with the tongue side towards the wall, as shown in **Diagram 2-2** and **Detail 2-2**.

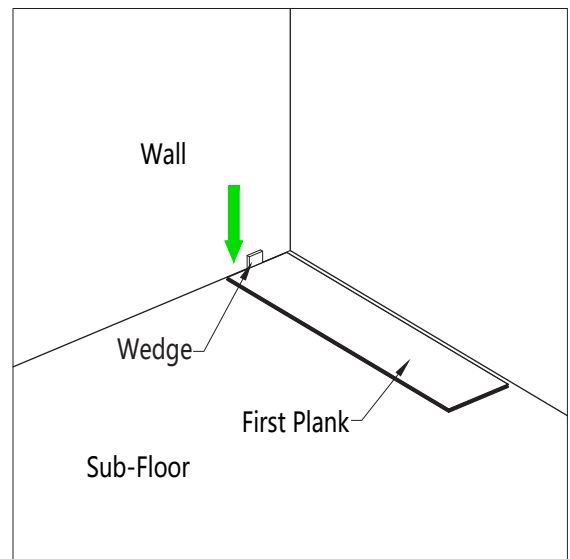


**Diagram 2-2**



**Detail 2-2**

**2.3** Then place a 1/4" (6mm) thickness wedge between the wall and the short side of the plank, as shown in **Diagram 2-3**.

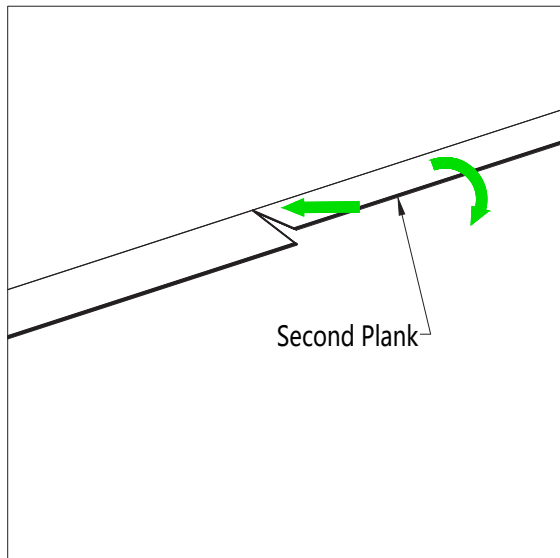


**Diagram 2-3**

### Please Note:

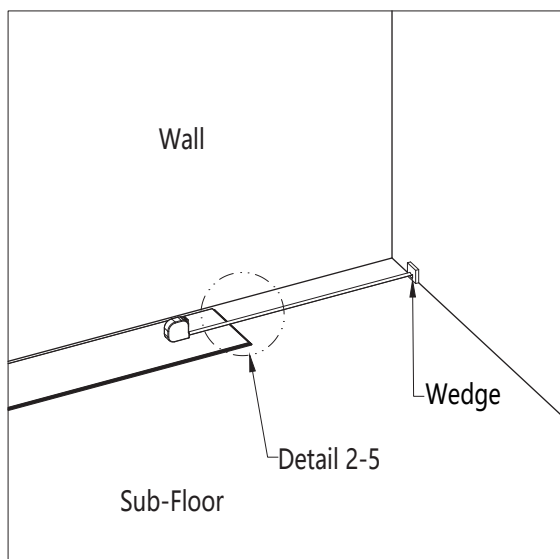
It is necessary to have a 1/4" (6mm) gap between the wall, other fixed objects and the planks to avoid warping or buckling caused by expansion and contraction response to the change of temperature.

**2.4** Put the second plank to the short right side of the first plank. Insert the tongue of the second plank into the groove of the first plank and fold down it to lock the planks, as shown in **Diagram 2-4**.

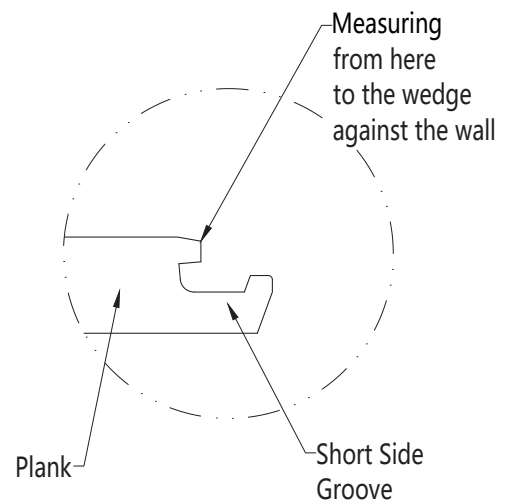


**Diagram 2-4**

**2.5** Continue the installation for the first row regarding **Step 2-4**. When reaching the wall right side, place a 1/4" (6mm) thickness wedge at the wall and measure the size to determine the length of the last plank, as shown in **Diagram 2-5**.

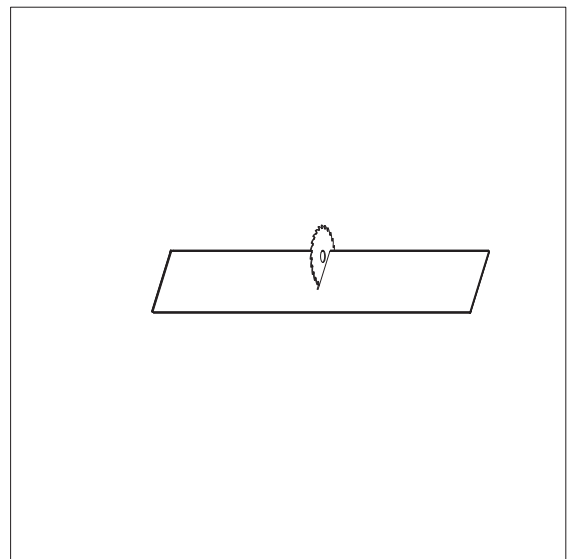


**Diagram 2-5**



**Detail 2-5**

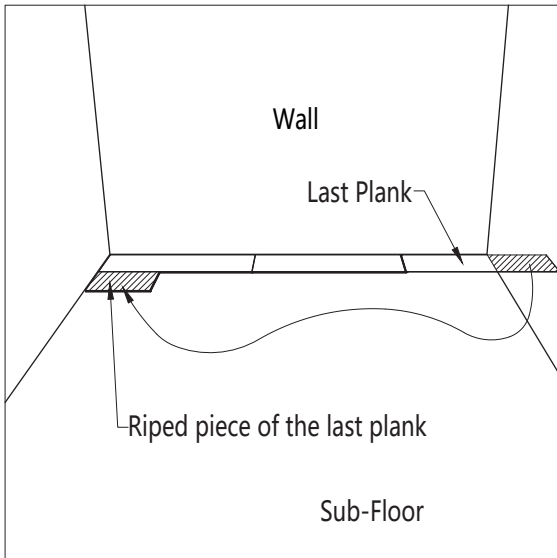
**2.6** Cut the last plank to size, as shown in **Diagram 2-6**. And install it regarding **Step 2-4**.



**Diagram 2-6**

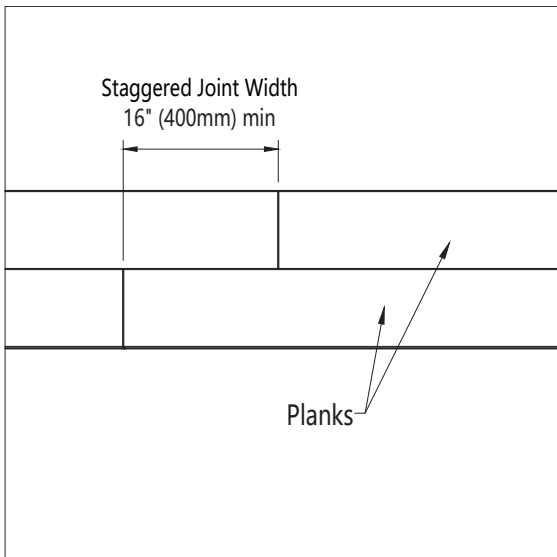


**2.7** Use the remainder of the cut plank that used to finish the first row to be the first piece of the second row, as shown in **Diagram 2-7**.



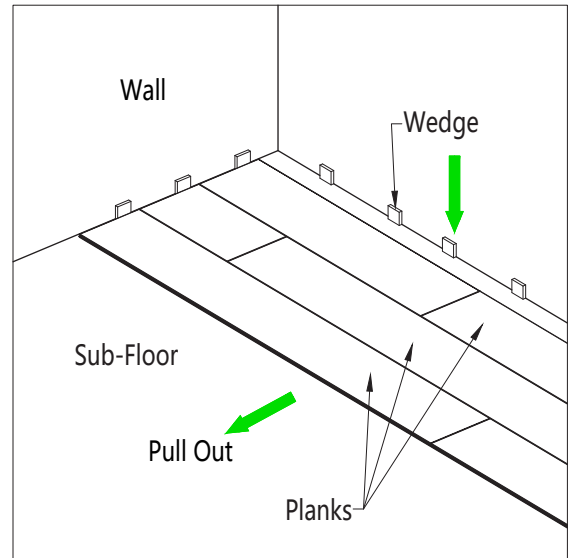
**Diagram 2-7**

**2.8** Finish the second and the third row's plank following **Step 2-4** to **Step 2-7**, as shown in **Diagram 2-8**.



**Diagram 2-8**

**2.9** Pull out the floor panel then put the 1/4" (6mm) thickness wedges along the wall, as shown in **Diagram 2-9**.

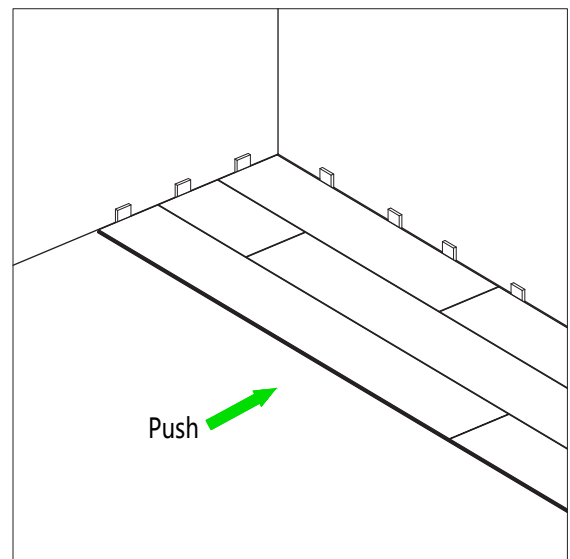


**Diagram 2-9**

**Please Note:**

It is necessary to have a 1/4" (6mm) gap between the wall, other fixed objects and the planks to avoid warping or buckling caused by expansion and contraction response to the change of temperature.

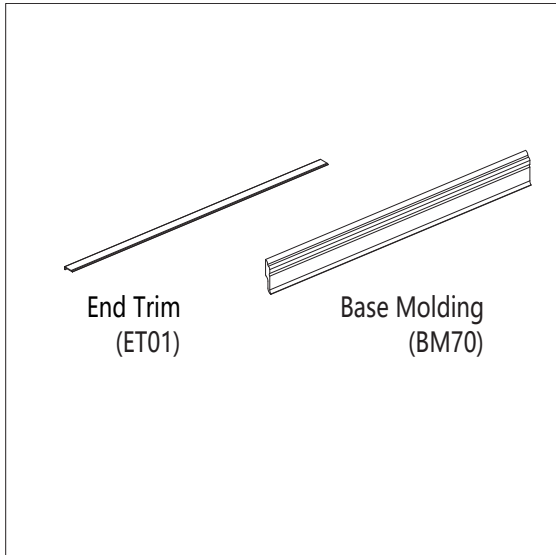
**2.10** Push the floor panel against the wall, as shown in **Diagram 2-10**. Then continue the installation for the remainder.



**Diagram 2-10**

### 3 Installation of the Molding

There are two types of Wall molding coded **BM70** and **ET01** for the trimming between the wall and the floor panel, as shown in **Diagram 3**.



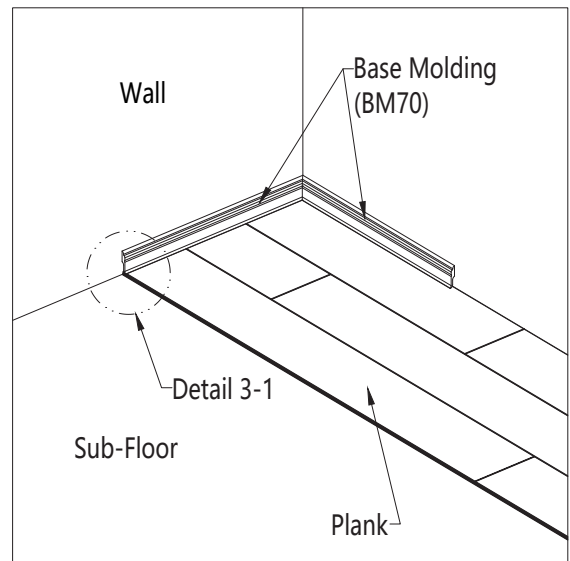
**Diagram 3**

**Please Note:**

Take out the 1/4" (6mm) thickness wedge before installing the molding.

#### 3.1 Installation of **Base Molding (BM70)**

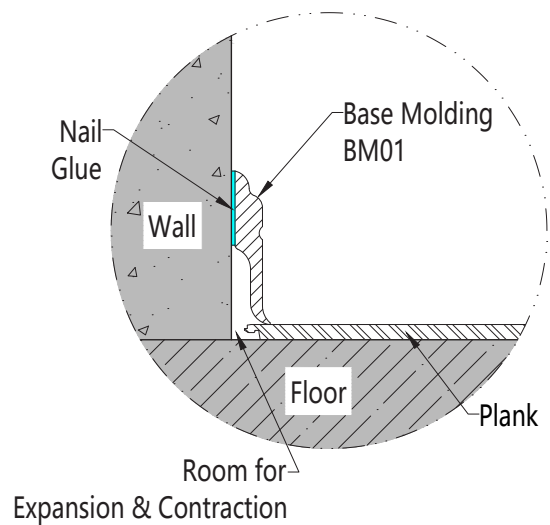
Use nail glue or nail to fix the molding on the wall, as shown in **Diagram 3-1**.



**Diagram 3-1**

**Please Note:**

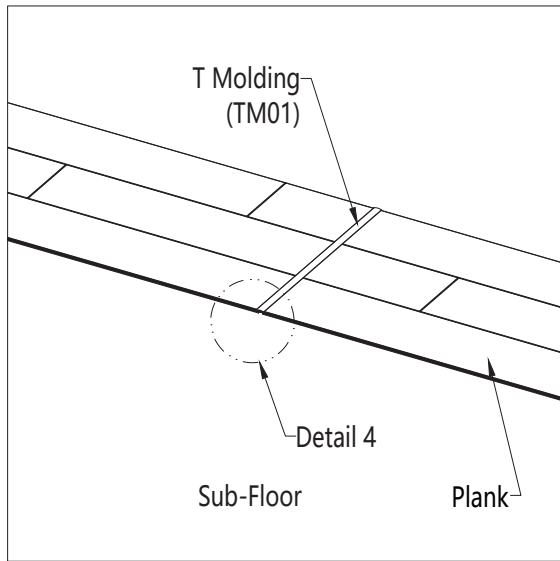
1. Don't fix the base molding on the floor with nail glue. If so, it could influence the floor from expansion and contraction.
2. The bottom of the base molding should be touching the flooring to eliminate the gap between the flooring to get a finished looking, as shown in **Diagram 3-1**.



**Detail 3-1**

### 3.2 Installation of End Trim (ET01)

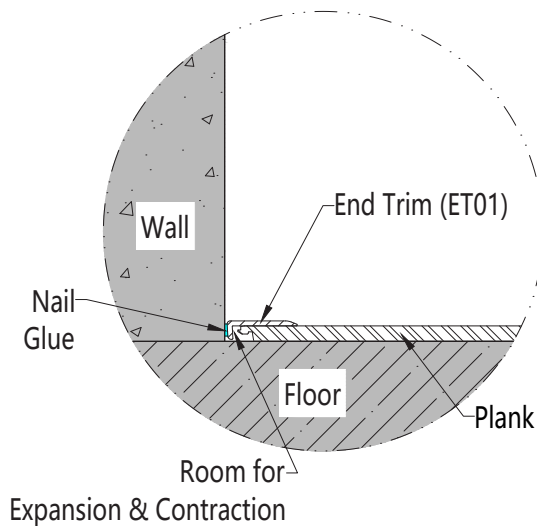
Use nail glue to fix the trim on the wall, as shown in **Diagram 3-2**.



**Diagram 3-2**

#### Please Note:

Don't fix the trim on the floor with nail glue or apply the nail glue inside the gap between the skirt and the floor, as shown in **Detail 3-2**

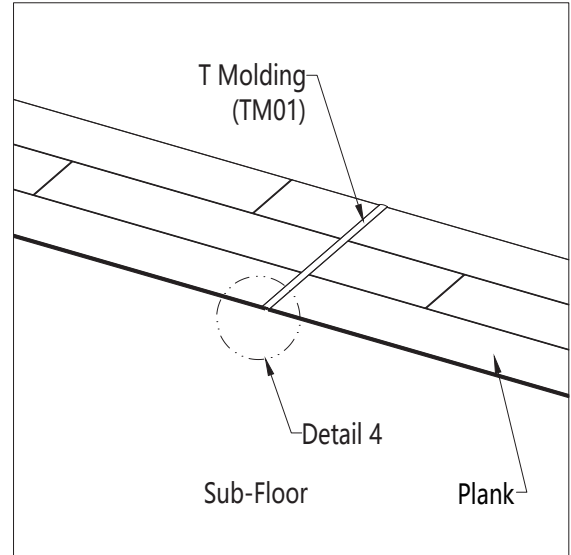


**Detail 3-2**

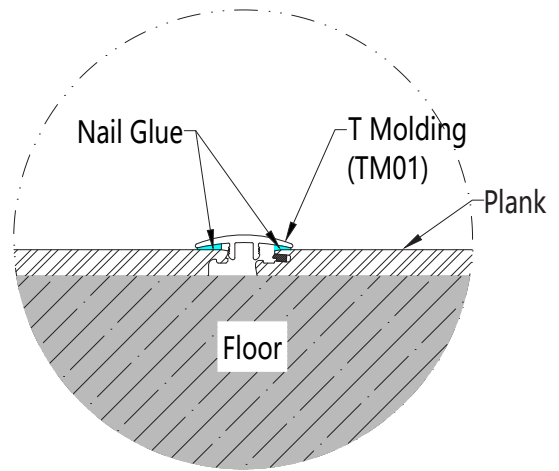
### 4 Installation of the T Molding (TM01)

Use the **T Molding (TM01)** for the butt joining of two separated floor panels, as shown in **Diagram 4**.

Fix the molding on the floor panels with double side adhesive tape or nail glue, as shown in **Detail 4**.



**Diagram 4**



**Detail 4**

#### Please Note:

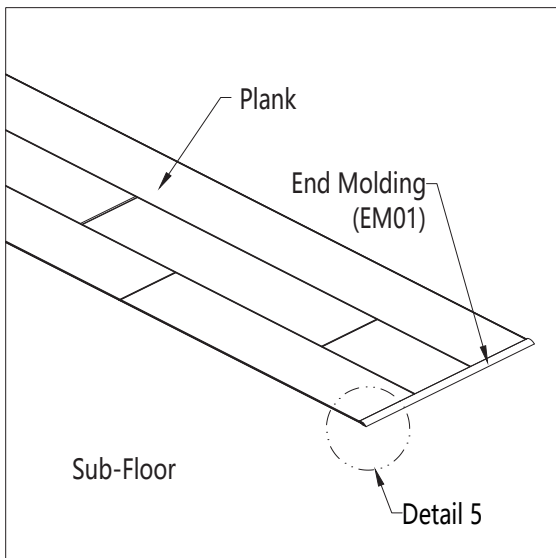
1. If you apply the double side adhesive tape for the **T Molding (TM01)** installation, please check with your local home centers or hardware stores to get the adhesive tape with sufficient strength to fix the molding on the floor.

2. Don't fix the molding on the flooring with nail. It would pose a risk for injury when barefoot steps on the molding.

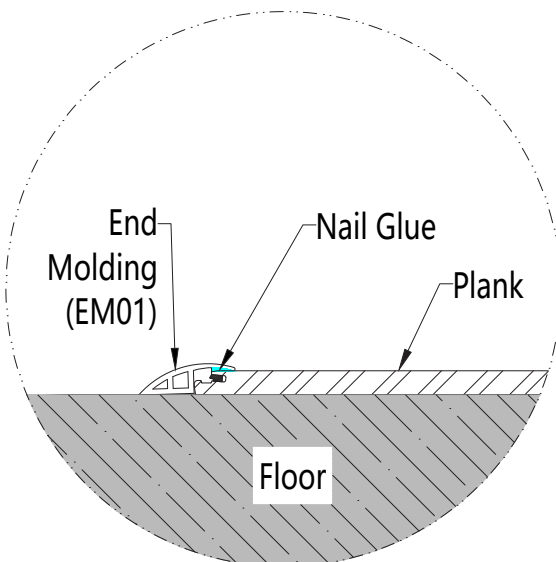
## 5 Installation of the End Molding (EM01)

Use the **End Molding (EM01)** to cover the edge of the floor panel, as shown in **Diagram 5**.

Fix the **End Molding (EM01)** on the floor panels with double side adhesive tape or nail glue, as shown in **Detail 5**.



**Diagram 5**



**Detail 5**

### Please Note:

1. If you apply the double side adhesive tape for the **End Molding (EM01)** installation, please check with your local home centers or hardware stores to get the adhesive tape with sufficient strength to fix the molding on the floor.
2. Don't fix the molding on the flooring with nail. It would pose a risk for injury when barefoot steps on the molding.



# EverLux XXL SPC Indoor Flooring Installation Guide

v20220126US

©2022 Newtechwood Corporation.

NewTechWood® is a registered trademark of Newtechwood Corporation.

To obtain a copy of the most current version of this installation guide, visit us online at [www.newtechwood.com](http://www.newtechwood.com).

